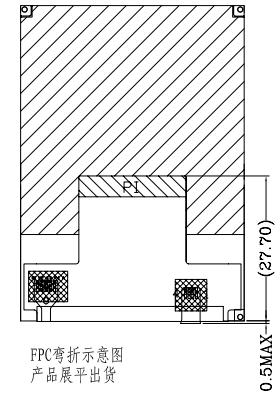
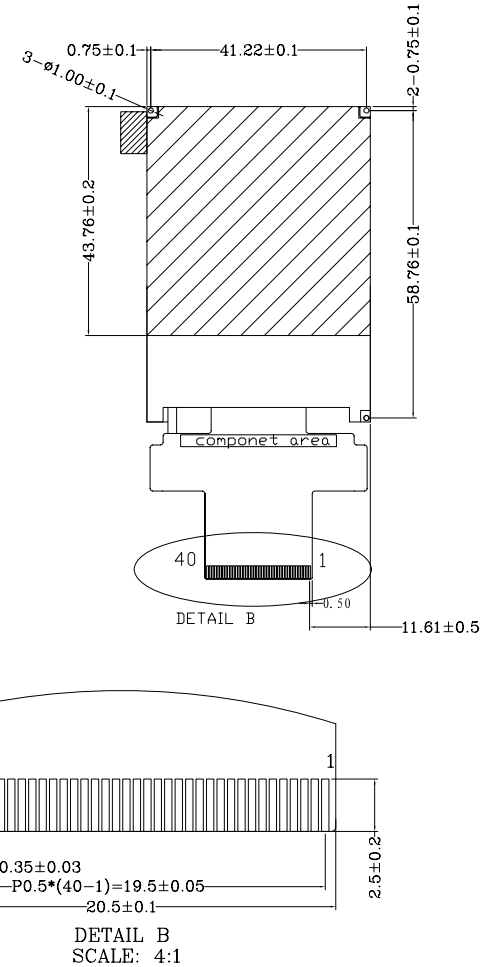
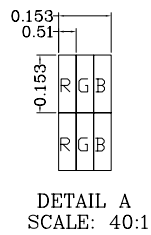
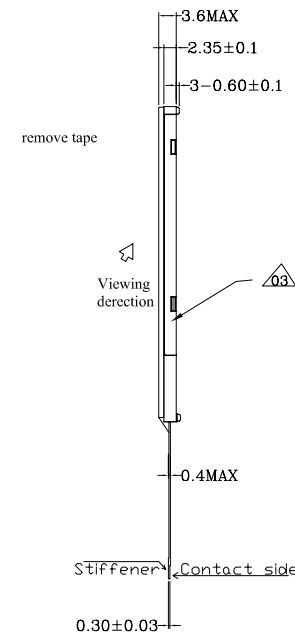
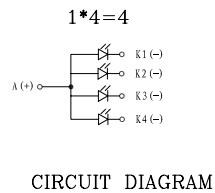
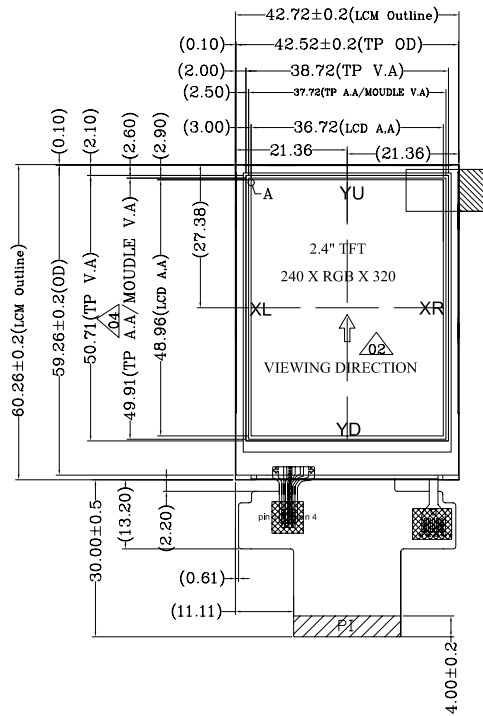


LANDMARK MODULE: LM240T-M1

Ver 1.6

PIN ASSIGNMENT:

PIN	SYMBOL
1	GND
2	YU
3	XL
4	YD
5	XR
6	LCD_ID
7	VCC
8	IOVCC
9	FMARK
10	CS
11	RS
12	WR
13	RD
14	DB0
15	DB1
16	DB2
17	DB3
18	DB4
19	DB5
20	DB6
21	DB7
22	DB8
23	DB9
24	DB10
25	DB11
26	DB12
27	DB13
28	DB14
29	DB15
30	RESET
31	IM0
32	NC
33	GND
34	LED-K1
35	LED-K2
36	LED-K3
37	LED-K4
38	LED-A
39	GND
40	NC



VER.	SYMBOL	SIGN	DATE
02	o		
01	△	CHANGE VIEWING DIRECTION ,REMOVE DOUBLE-SIDE	8.08
00		First issuance	8.03