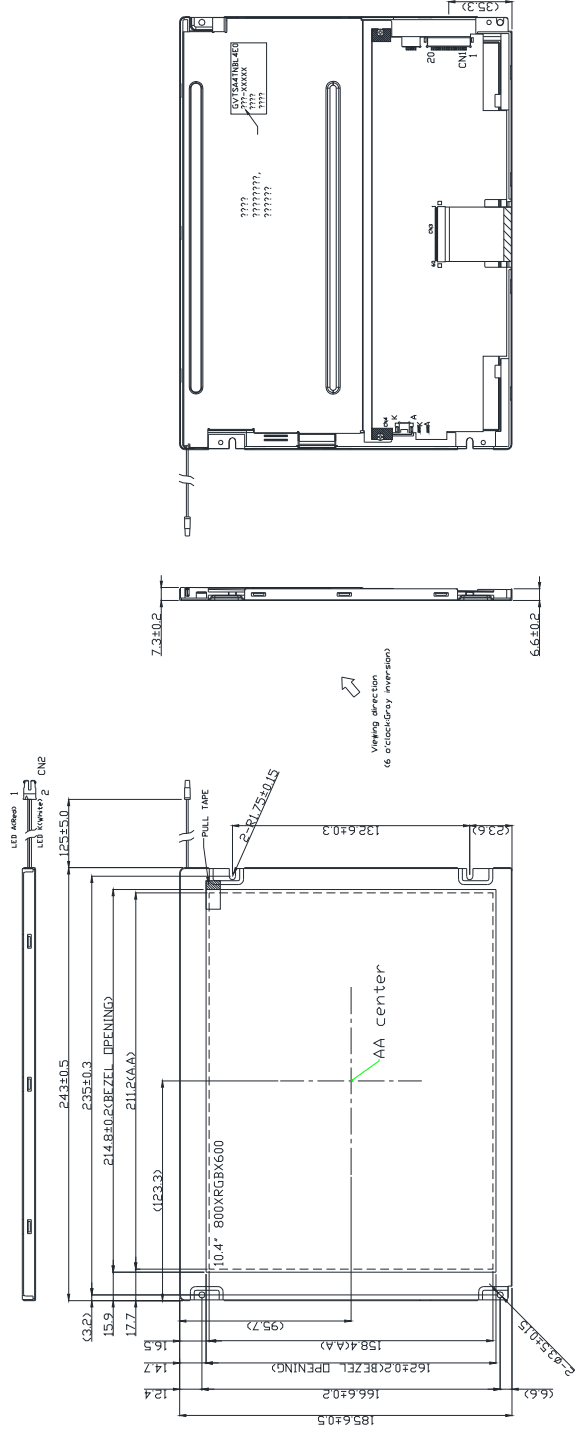


LANDMARK TECHNOLOGY: LM1040SV-GH



DM

No.	Symbol
1	VDD
2	VDD
3	GND
4	GND
5	RxIN+
6	RxIN+
7	GND
8	RxIN-
9	RxIN+
10	GND
11	RxIN-
12	RxIN+
13	GND
14	RxCLKIN
15	RxCLKIN
16	GND
17	NC
18	NC
19	NC
20	NC

CN1: SMT MSB24013P20HA or Equivalent
 CN2: BHSR-02VS-1(JST) or Equivalent